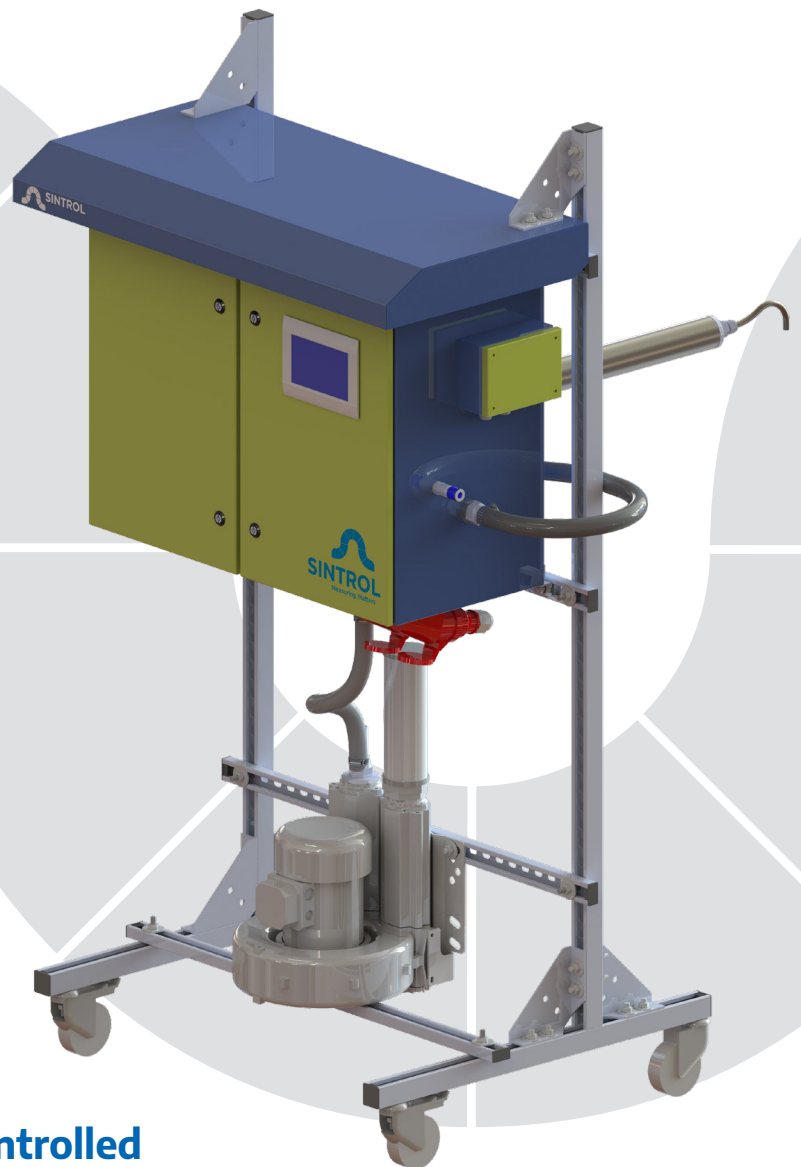


PRODUCT BROCHURE

Wet Gas Extractive Dust Measurement EXO



RoHS 3
COMPLIANT
EU 2015/863

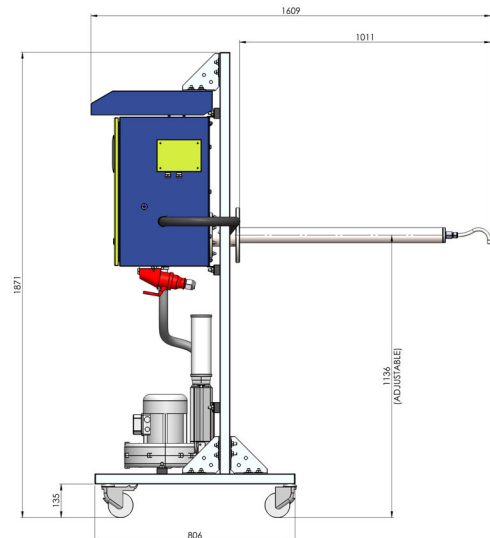
**Temperature controlled
continuous particulate
measurement for
wet processes**



SINTROL
Measuring Matters

LED based, forward scattering instrument to measure dust concentrations in difficult wet gases

- Isokinetic sampling
- Continuous dust levels as low as 0.1 mg/m³
- Sample stream isolated from optics with air curtain to extend maintenance interval
- Accurate linear measurement for all kinds of dust
- Color touch screen for easy parametrization
- LED light source covers different particle size distributions and is less affected by particulate characteristic



Product Name	EXO Optical Wet Gas Extractive Dust Monitor
Measurement	Total Dust, Optical LED Based, Extractive
Particle Size	From 0.01 µm
Detection limit	From 0.1 mg/m ³
Measurement range	0-500 mg/m ³ (user changeable)
Isokinetic sampling	Achievable by parameter adjustment (option)
Power supply	400V/16A 3-Phase
Power consumption	Total: max 3.7 kW , heaters max 1,5 kW, blower max 2,2 kW
Purge air supply	Clean, dry instrument air ~30 l/min or separate purge air blower
Output Signals	<ul style="list-style-type: none"> • 2x8 digital output, 24 VDC , 0,5 A • Two 4-20 mA output • Ethernet TCP/IP • USB for datalogging
Signal Averaging Time	1 sec , 30 sec or user selectable (max 3600 sec)
Stack process conditions	Flue gas below dew point with water droplets
Ambient Temperature	-20...+50°C
Ambient humidity	Max 95 % RH (non-condensing)
Flue Gas Velocity	5-25 m/s
Temperature	Max 300 °C (572 °F)
Wetted parts	Probe:stainless steel (316L), optionally Hastelloy C276 Internal piping: Stainless steel (316L)
Calibration	SRM (standard reference method), gravimetric sampling
Enclosure	Powder coated steel, IP54
Size	W: 800 mm, H: 400 mm, D: 300 mm
Weight	Total weight fully assembled ~120 kg, depending auxiliaries
Ordering information	PC900810



Sintrol Oy
 Ruosilantie 15, 00390 Helsinki, Finland
 Tel. +358 9 561 7360, info@sintrol.com
 New Delhi, India
 Tel. +91 9811 676 061, india@sintrol.com
 Beijing, China
 Tel +86 139 1137 4609, china@sintrol.com

Sintrol Oy is certified to ISO 9001.
 *All specifications are subject to change without notice.

Copyright © 2024 by Sintrol.

sintrol.com